



Insulation for the Railcar Industry[®]

Distribution International's Railwrap division provides high temperature thermal insulation designed to withstand fire exposure as mandated by DOT regulations for tank cars. Whether a tank car is new, refurbished, or needs to be retrofitted, we supply the required insulation to meet project needs. Centrally located, our facility offers rapid turnaround, fabrication, and is stocked to meet installation demands. Fire containment and rail safety is our priority; all Railwrap products meet 49 CFR 179.18 specifications.

Ceramic Blanket



Combo Roll



End Cap and Repair Kits



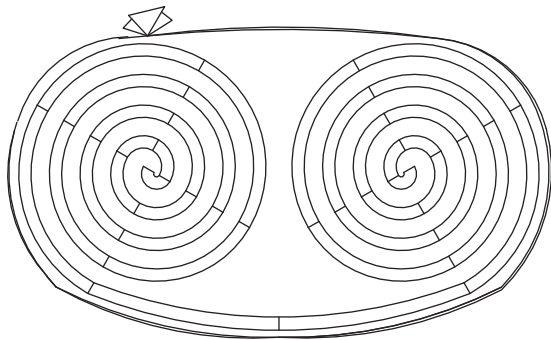
*Ceramic blanket and combo rolls are available scroll rolled to simplify installation.

A Division of:



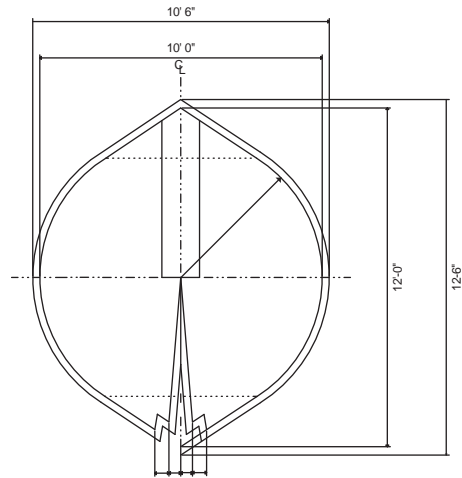
Railwrap

Insulation for the Railcar Industry[®]



Scroll Rolled

- Dual layered fiberglass and ceramic blanket
- Scroll rolls allow for easy installation
- Common dimensions are:
 - 31' L X 50" W with 4^{1/2}" thickness
 - 34' L X 50" W with 4^{1/2}" thickness



Finished End Cap

- Affixed fiberglass and ceramic blanket
- Easy installation
- Patch/repair kits available
- Common dimensions are:
 - 11' 6" OD of Oval X 4^{1/2}" thickness
 - 12' OD of Oval X 4^{1/2}" thickness



For more information, contact a representative.

2301 W. Commerce Street
Dallas, TX 75212
469-499-9900

distributioninternational.com